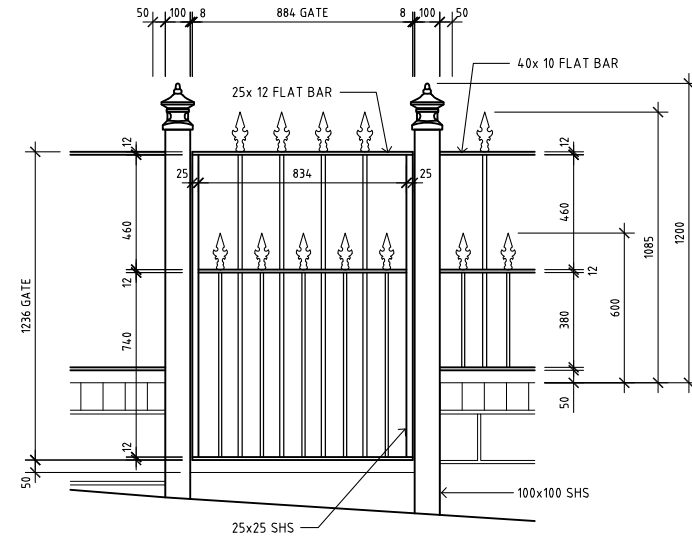


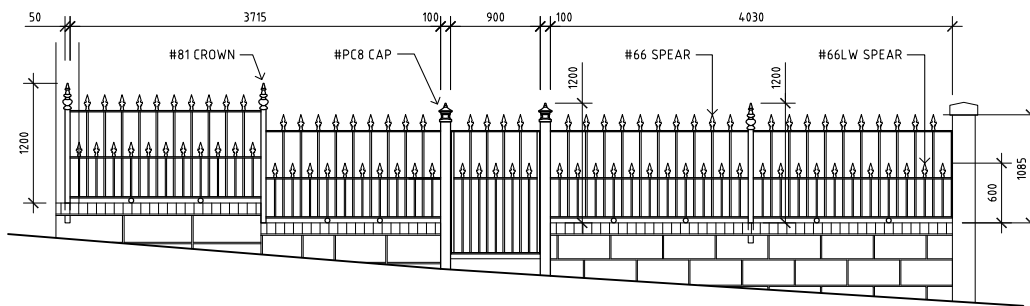
PROPOSED FENCE & GATE PLAN

SCALE 1:50



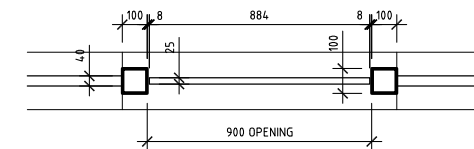
PROPOSED GATE ELEVATION

SCALE 1:20



PROPOSED FENCE & GATE ELEVATION

SCALE 1:50



PROPOSED GATE PLAN

SCALE 1:20

DOCUMENT ISSUE			
DA	CC	TEND	CONST
DRAWN		NH	
DATE		FEB 2016	
SCALE		AS SHOWN	
DWG NO.		A	
150823_07-A01			
DRAWING			
PROPOSED			
FENCE AND GATE			
DETAILS			

PROJECT
**PROPOSED FENCE AND GATE
 TO EXISTING PROPERTY**

CONSULTANT

No.	AMENDMENT	DATE	INT
C	GENERALLY AMENDED	11.02.16	NH
D	GENERALLY AMENDED	15.02.16	NH
E	GENERALLY AMENDED	16.02.16	NH
F	GENERALLY AMENDED	16.02.16	NH

NOTE
 1. DO NOT SCALE OFF DRAWINGS.
 2. ALL DIMENSIONS TO BE CONFIRMED ON SITE PRIOR TO CONSTRUCTION AND/OR INSTALLATION.
 3. ANY DISCREPANCIES TO BE REVIEWED WITH CLIENT AND CONSULTANT FOR REVIEW.
 4. ALL WORK TO BE BEST PRACTICE AND TO COMPLY WITH RELEVANT AUTHORITIES, CODES AND AUSTRALIAN STANDARDS.