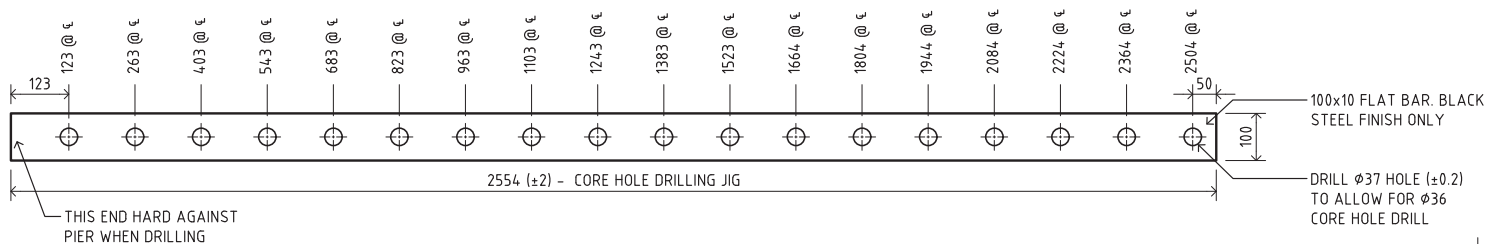


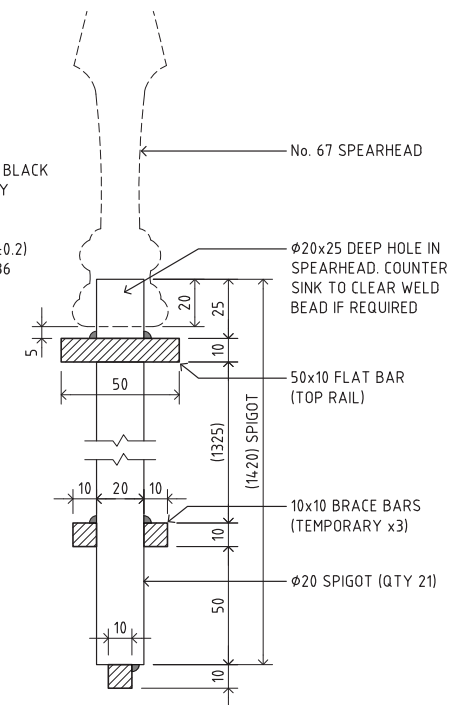
DRILLING JIG - PLAN (BROWN ST)

SCALE 1:10



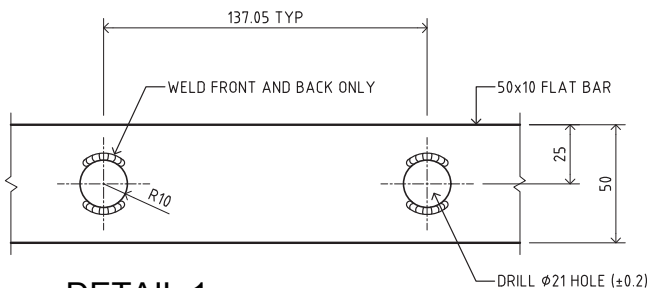
DRILLING JIG - PLAN (MARY PLACE)

SCALE 1:10



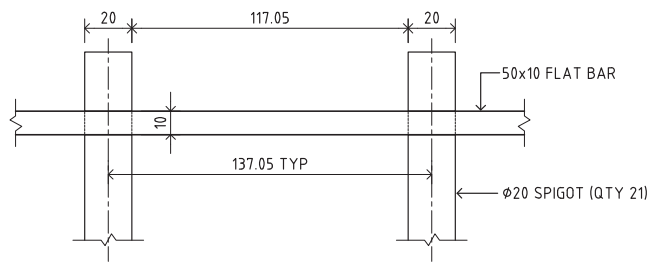
DETAIL 3

SCALE 1:2



DETAIL 1

SCALE 1:2



DETAIL 2

SCALE 1:2

NOTE
 1. DO NOT SCALE OFF DRAWINGS.
 2. ALL DIMENSIONS TO BE CONFIRMED ON SITE PRIOR TO FABRICATION AND/OR INSTALLATION.
 3. ANY DISCREPANCIES TO BE DISCUSSED WITH CLIENT AND CONSULTANT FOR REVIEW.
 4. ALL WORK TO BE BEST PRACTICE AND TO COMPLY WITH RELEVANT AUTHORITIES, CODES AND AUSTRALIAN STANDARDS.

| No. | Description | Date |
|-----|---------------------|----------|
| A | ISSUED FOR APPROVAL | 15.10.17 |
| | | |
| | | |
| | | |
| | | |

Design & Construction

Project Details
 BROWN STREET,

| | | |
|----------------|-----------|---------------------------|
| Drawing Name | | STEEL FABRICATION |
| Project number | 150823-25 | Drawing # MW-03 |
| Date | OCT 2017 | |
| Drawn by | NH | Scale - AS SHOWN (A3) |
| Checked by | JB | |